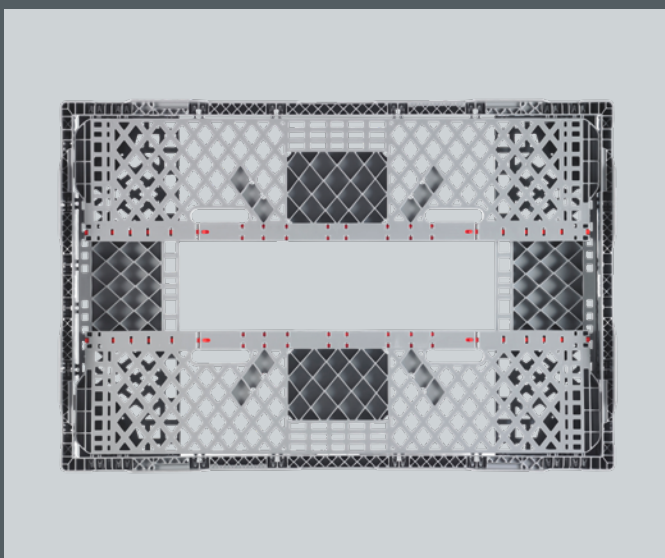
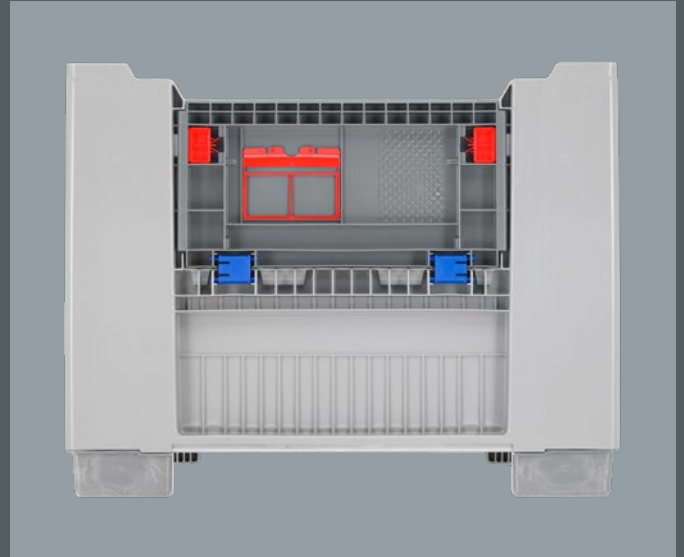
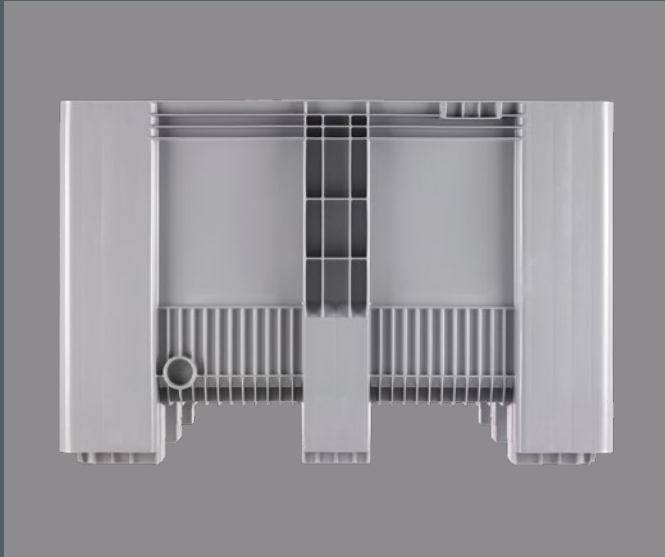


Large Load Carriers



www.craemer.com
www.craemer.co.uk

Portfolio



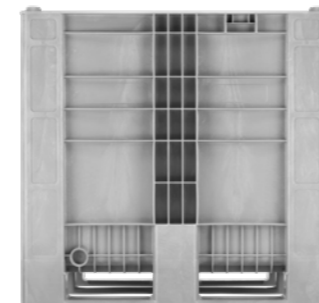
CB1 – Page 4



CB3 – Page 6



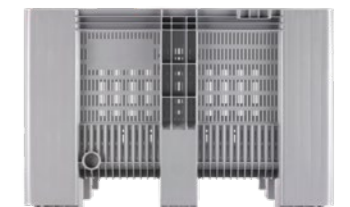
CB-UN – Page 8



CB3 High – Page 10



SB3 closed – Page 12



SB3 perforated – Page 14



HB3 – Page 16



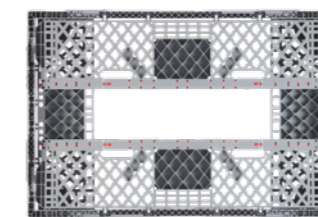
KUBO – Page 18



ET Box – Page 20



Large Containers – Page 22



CC1 – Page 24

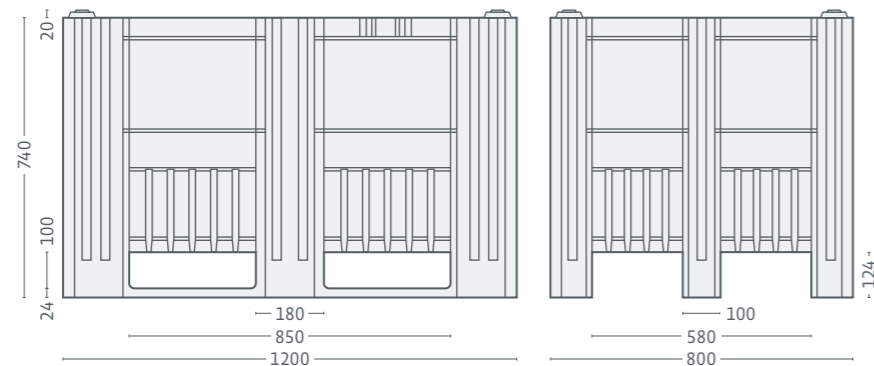


MGBneo+ – Page 26

Germany (Headquarters Export Department)
Craemer GmbH
Brocken Straße 1
33442 Herzebrock-Clarholz | Germany
Tel.: +49 5245 43-0
E-Mail: info@craemer.com
www.craemer.com/en

United Kingdom
Craemer UK Ltd
Craemer House
Hortonwood 1
Telford, Shropshire TF1 7GN | United Kingdom
Tel: +44 1952 6078-00 | Fax: +44 1952 6078-01
E-mail: info@craemer.com
www.craemer.co.uk

CB1 – Tough performer



CB1 – Euro Size

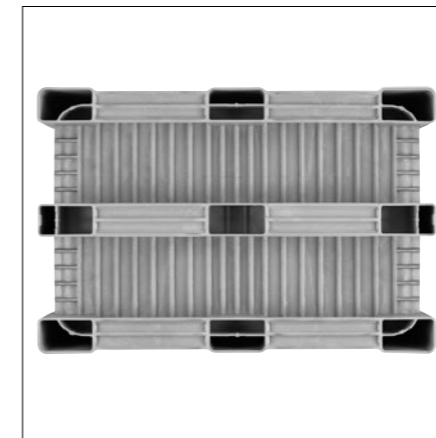
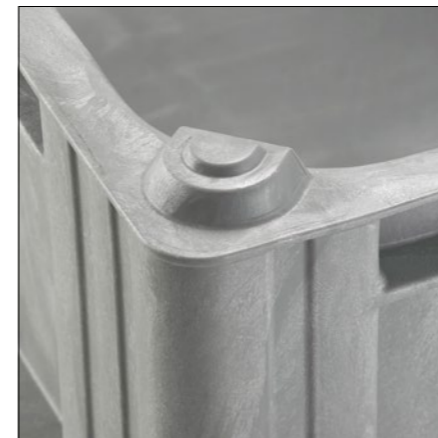
Technical data *1				Load capacity *3	
Name	CB1	Material *2	PE	Stacking load	5000 kg
External dimensions L x W x H	1200 x 800 x 740 mm	Volume	470 l	Payload	700 kg
Internal dimensions L x W x H	1115 x 715 x 595 mm	Weight	34.5 kg	Dynamic load	1200 kg

Characteristics:

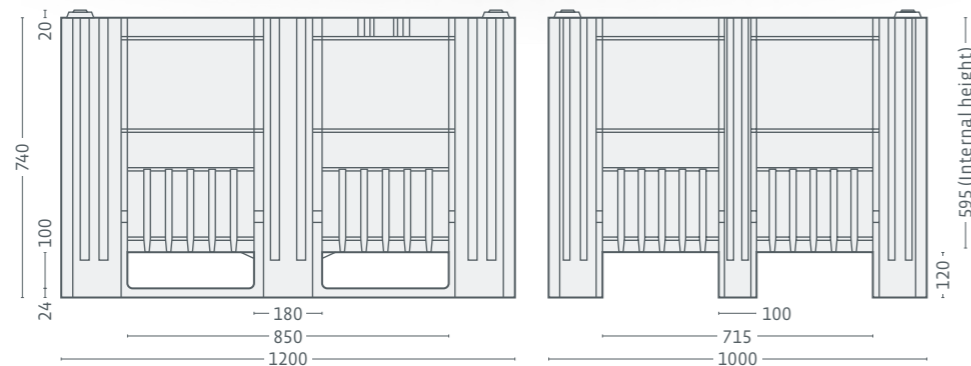
- Seamless construction, **injection moulded in one piece** with 3 runners, thus stable runner connection
- Walls and base **closed**
- **Ram protection** through additional ribs on the sides, for increased resistance to forklift tines
- Integrated **interlocking corners** (stacking cams)
- **Smooth interior walls** for easy emptying and cleaning
- **Stippled area** for temporary adhesive labels
- The container is based on **DIN EN 13626** and **DIN EN ISO 12048**
- Standard colours:

Options:

- RFID transponder
- Lid
- Printing options (individual logos, fonts or numbering)
- Available in different colours



CB3 – Tough performer



CB3 – Industrial Size

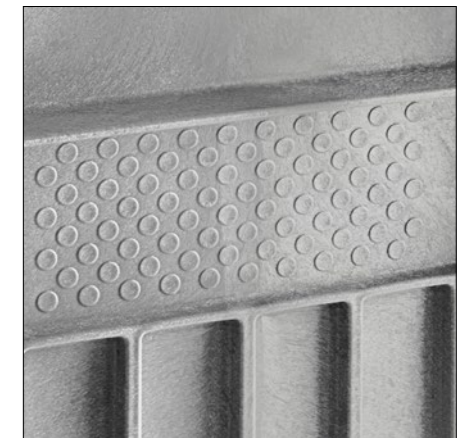
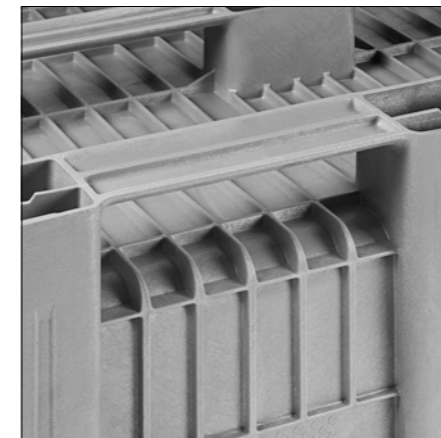
Technical data *1				Load capacity *3	
Name	CB1	Material *2	PE	Stacking load	5000 kg
External dimensions L x W x H	1200 x 1000 x 740 mm	Volume	610 l	Payload	700 kg
Internal dimensions L x W x H	1130 x 925 x 595 mm	Weight	36.5 kg	Dynamic load	1200 kg

Characteristics:

- Seamless construction, **injection moulded in one piece** with 3 runners, thus stable runner connection
- Walls and base **closed**
- **Ram protection** through additional ribs on the sides, for increased resistance to forklift tines
- Integrated **interlocking corners** (stacking cams)
- **Smooth interior walls** for easy emptying and cleaning
- **Stippled area** for temporary adhesive labels
- The container is based on **DIN EN 13626** and **DIN EN ISO 12048**
- Standard colours:

Options:

- RFID transponder
- Lid
- Printing options (individual logos, fonts or numbering)
- Available in different colours



CB-UN – Perfect for dangerous goods



Characteristics:

- The design type complies with the test provisions of the following international regulations for **packagings for the transport of dangerous goods (packaging groups II and III)**:
 - European Agreement Concerning the International Carriage of Dangerous Goods by Road (ADR)
 - Regulations on the International Transport of Dangerous Goods by Rail (RID)
 - International Maritime Dangerous Goods Code (IMDG Code)
 - Recommendations on the Transport of Dangerous Goods of the United Nations
 - Technical Instructions for the safe Transport of Dangerous Goods By Air (ICAO-TI) similarly written down in the IATA-Dangerous Goods Regulations (IATA-DGR)
- Injection moulded in **one piece**
- With **3 runners**
- Walls and base **closed**
- With lid and **2 tensioning straps**
- **Stable** runner connection
- **Ram protection** through additional ribs on the sides, for increased resistance to forklift tines
- Integrated **interlocking corners** (stacking cams)
- **Smooth interior walls** for easy emptying and cleaning
- **Stippled area** for temporary adhesive labels
- The container is based on **DIN EN 13626** and **DIN EN ISO 12048**
- Standard colours: ■

Options:

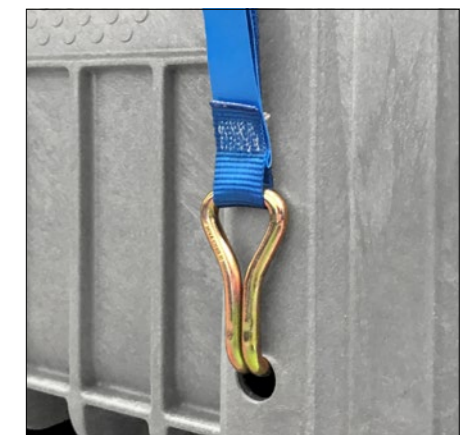
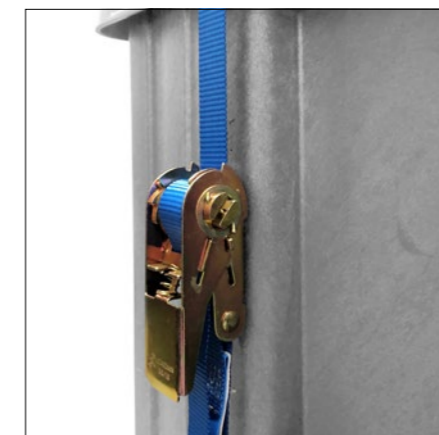
- RFID transponder
- Printing options (individual logos, fonts or numbering)

CB1 – Euro Size

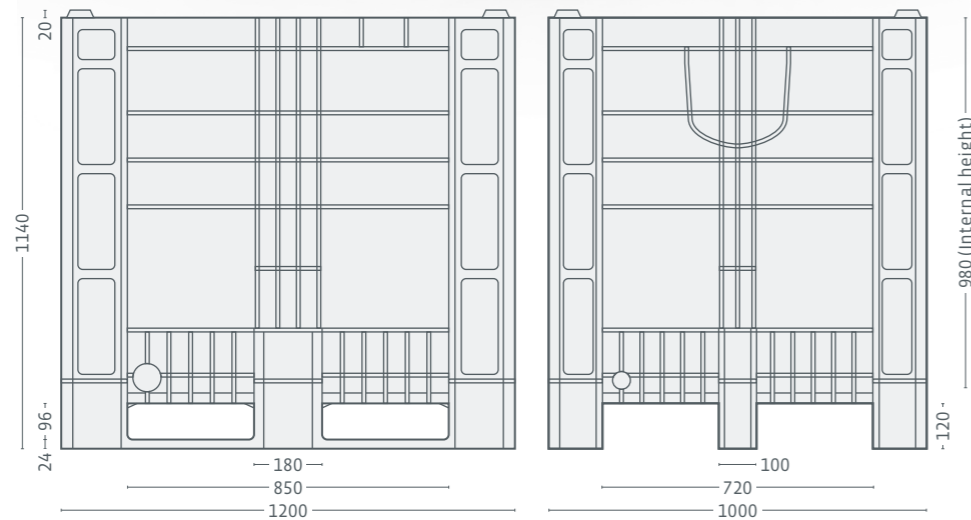
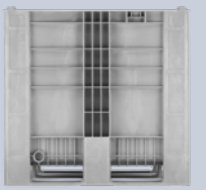
Technical data *1				Load capacity *3	
External dimensions L x W x H	1200 x 800 x 765 mm	Volume	470 l	Stacking load	5000 kg
Internal dimensions L x W x H	1115 x 715 x 595 mm	Weight	39.8 kg	Payload	—
Material *2	PE	Max. gross mass	437.5 kg	Dynamic load	1200 kg

CB3 – Industrial Size

Technical data *1				Load capacity *3	
External dimensions L x W x H	1200 x 1000 x 765 mm	Volume	610 l	Stacking load	5000 kg
Internal dimensions L x W x H	1130 x 925 x 595 mm	Weight	43.8 kg	Payload	—
Material *2	PE	Max. gross mass	438.8 kg	Dynamic load	1200 kg



CB3 High – Aim high



CB3 High – Industrial Size

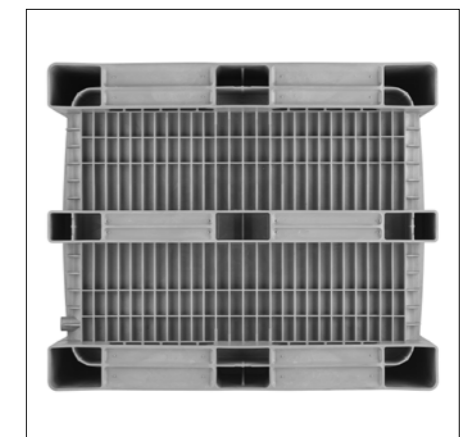
Technical data *1				Load capacity *3	
External dimensions L x W x H	1200 x 1000 x 1140 mm	Volume	~ 1000 l	Stacking load	4000 kg
Internal dimensions L x W x H	1108 x 897 x 983 mm	Weight with 3 runners	49.5 kg	Payload	1000 kg
Material *2	PE	Weight with 9 feet	46.5 kg	Dynamic load	1500 kg

Characteristics:

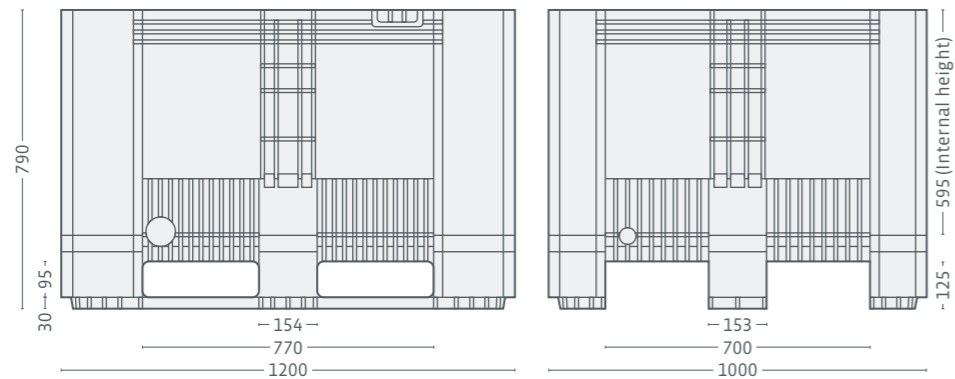
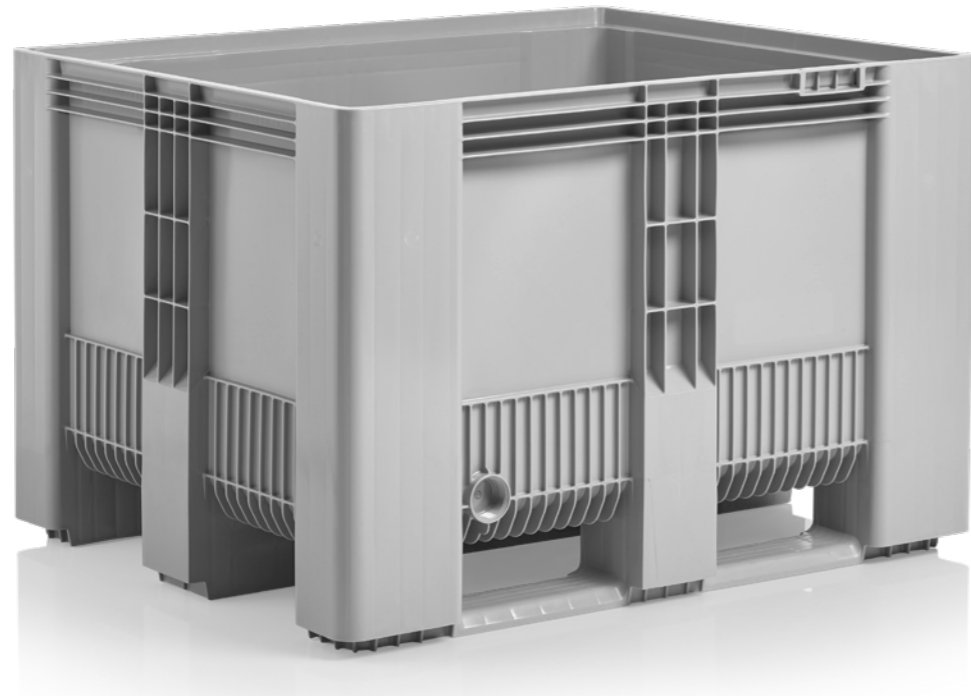
- Seamless construction, **injection moulded in one piece** with 3 runners or 9 feet, thus stable connection of runners/feet
- Walls and base **closed**
- **Ram protection** through ribs on the sides, for increased resistance to forklift tines
- High stability of container base due to strong **ribbing**
- Integrated **interlocking corners** (stacking cams)
- **Smooth interior walls** for easy emptying and cleaning
- One closed **port hole** with integrated thread and drilling mark, each on one long side (2-inch) and on one short side (1-inch)
- The container is based on **DIN EN 13626** and **DIN EN ISO 12048**
- Standard colours: ■

Options:

- 9 feet or 3 runners
- One open drain hole with integrated thread each on one long side (2-inch) and on one short side (1-inch)
- Lateral trunnions for effortless lift-tilt emptying
- RFID transponder
- Lid
- Printing options (individual logos, fonts or numbering)



SB3 – Everybody's Darling



SB3 – Industrial Size

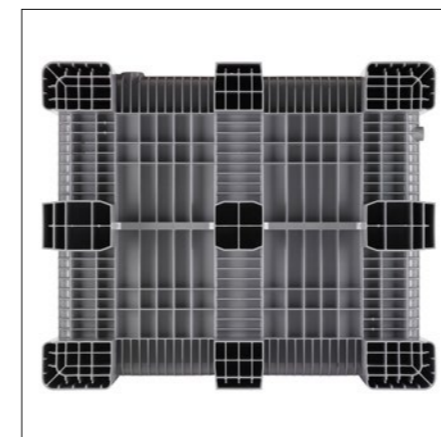
Technical data *1				Load capacity *3	
External dimensions L x W x H	1200 x 1000 x 790 mm	Volume	610 l	Stacking load	5000 kg
Internal dimensions L x W x H	1120 x 920 x 620 mm	Weight with 3 runners	43.5 kg	Payload	700 kg
Material *2	PE	Weight with 9 feet	40.5 kg	Dynamic load	1200 kg

Characteristics:

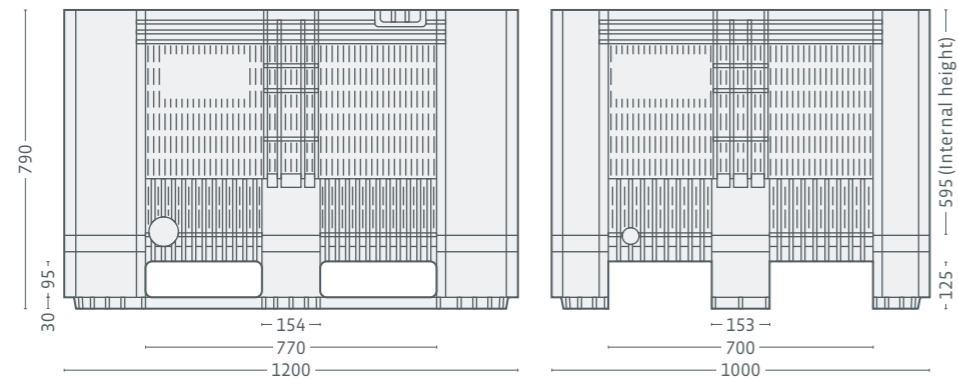
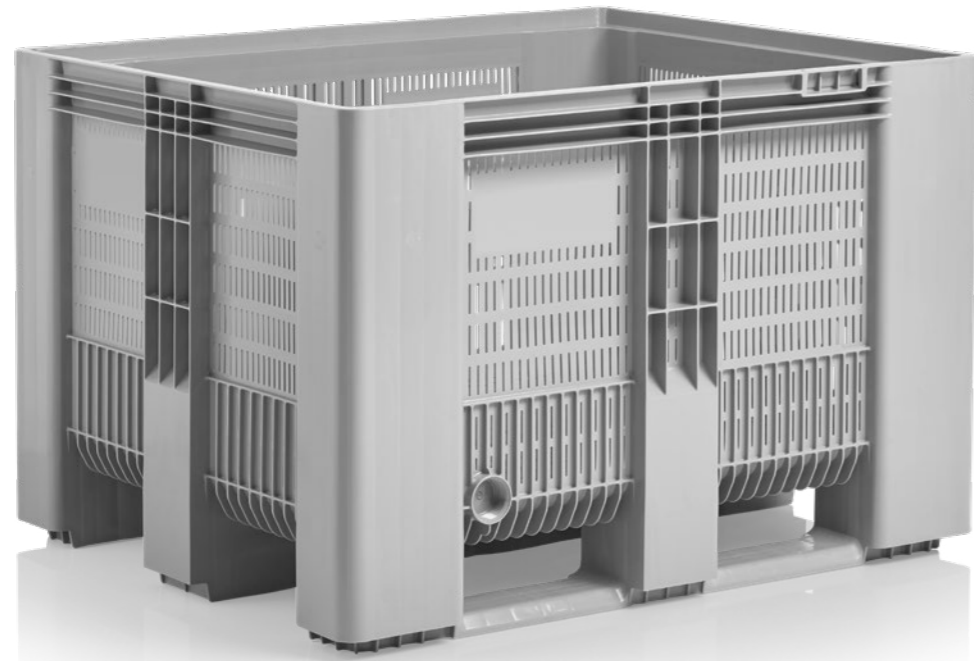
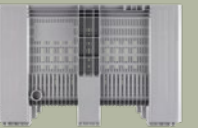
- Seamless construction, injection moulded in **one piece** with 3 runners or 9 feet
- Extra **strong** connection of runners or feet
- Walls and base **closed**
- **Ram protection** through additional ribs on the sides, for increased resistance to forklift tines
- High stability of container base due to strong **ribbing**
- **Euro stacking system** for secure locking in the stack
- **Smooth, straight interior walls** for easy emptying and cleaning
- One closed **drain port** with integrated thread and drilling mark, each on one long side (2-inch) and on one short side (1-inch)
- The container is based on **DIN EN 13626** and **DIN EN ISO 12048**
- Standard colours: ■

Options:

- 9 feet or 3 runners
- One open drain port with integrated thread each on one long side (2-inch) and on one short side (1-inch)
- RFID transponder
- Lid
- Printing options (individual logos, fonts or numbering)



SB3 – Everybody's Darling



SB3 – Industrial Size

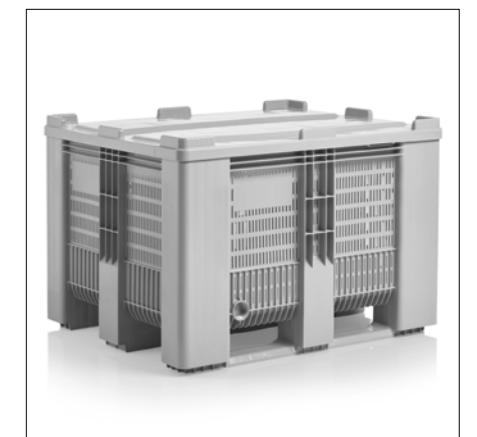
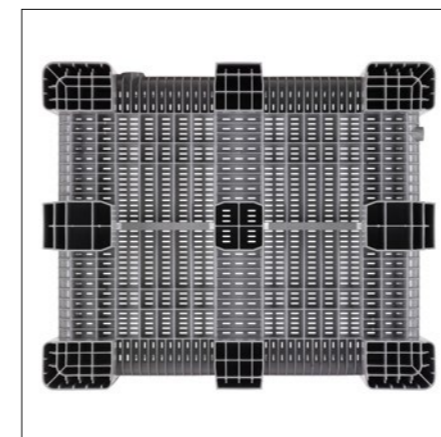
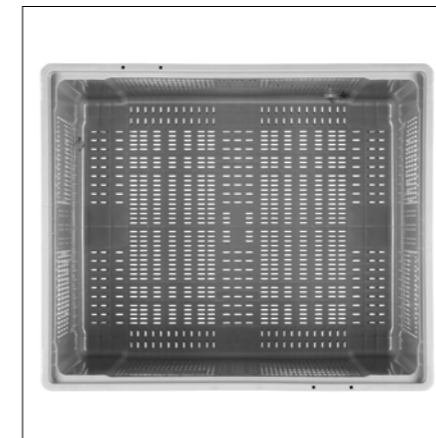
Technical data *1				Load capacity *3	
External dimensions L x W x H	1200 x 1000 x 790 mm	Volume	610 l	Stacking load	5000 kg
Internal dimensions L x W x H	1120 x 920 x 620 mm	Weight with 3 runners	41.5 kg	Payload	700 kg
Material *2	PE	Weight with 9 feet	38.5 kg	Dynamic load	1200 kg

Characteristics:

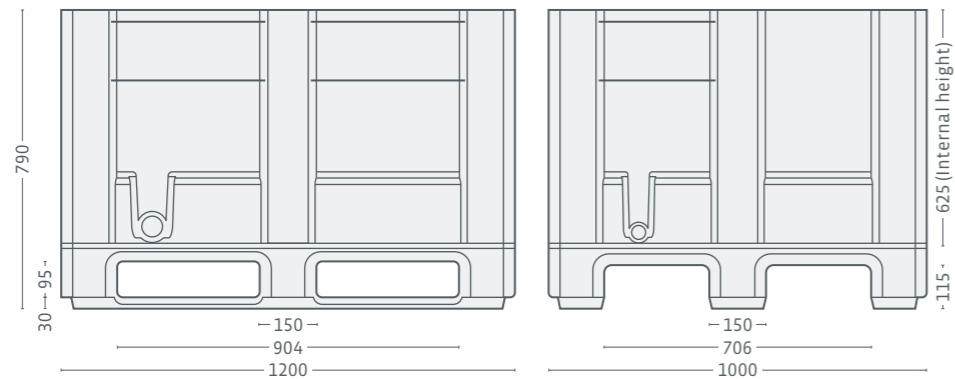
- Seamless construction, injection moulded in **one piece** with 3 runners or 9 feet
- Extra **strong** connection of runners or feet
- **Perforated** walls and base, **vents chamfered on the inside** to protect sensitive goods
- **Ram protection** through additional ribs on the sides, for increased resistance to forklift tines
- High stability of container base due to strong **ribbing**
- **Euro stacking system** for secure locking in the stack
- **Smooth, straight interior walls** for easy emptying and cleaning
- One closed **drain port** with integrated thread and drilling mark, each on one long side (2-inch) and on one short side (1-inch)
- The container is based on **DIN EN 13626** and **DIN EN ISO 12048**
- Standard colours: ■

Options:

- 9 feet or 3 runners
- One open drain port with integrated thread each on one long side (2-inch) and on one short side (1-inch)
- RFID transponder
- Lid
- Printing options (individual logos, fonts or numbering)



HB3 – Cleaning is mere child's play



HB3 – Industrial Size

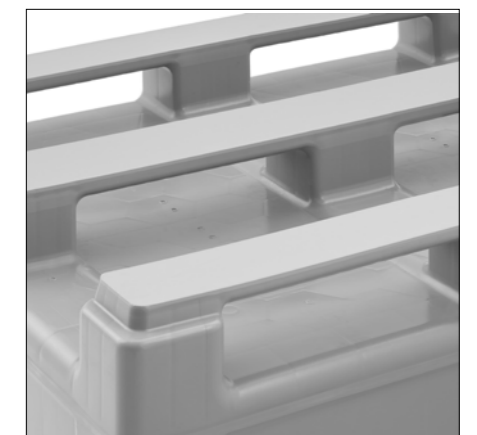
Technical data *1				Load capacity *3	
External dimensions L x W x H	1200 x 1000 x 790 mm	Volume	620 l	Stacking load	5000 kg
Internal dimensions L x W x H	1115 x 915 x 625 mm	Weight without profiles	44.0 kg	Payload	900 kg
Material *2	PE	Weight with 3 profiles	45.5 kg	Dynamic load	1900 kg

Characteristics:

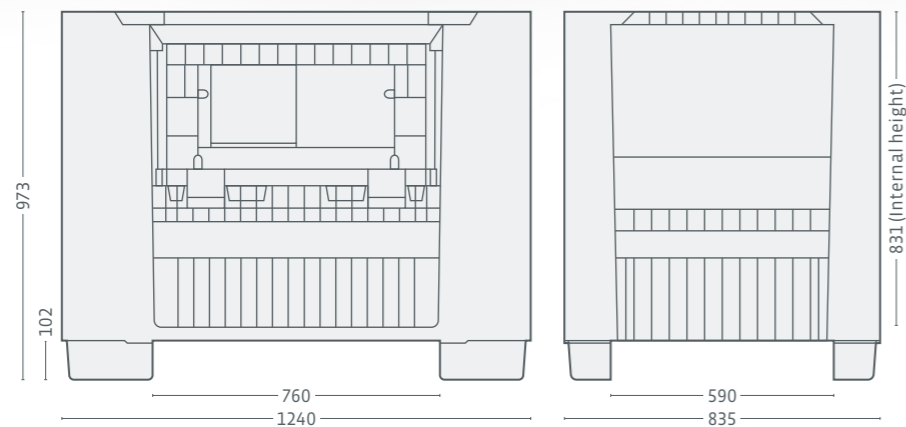
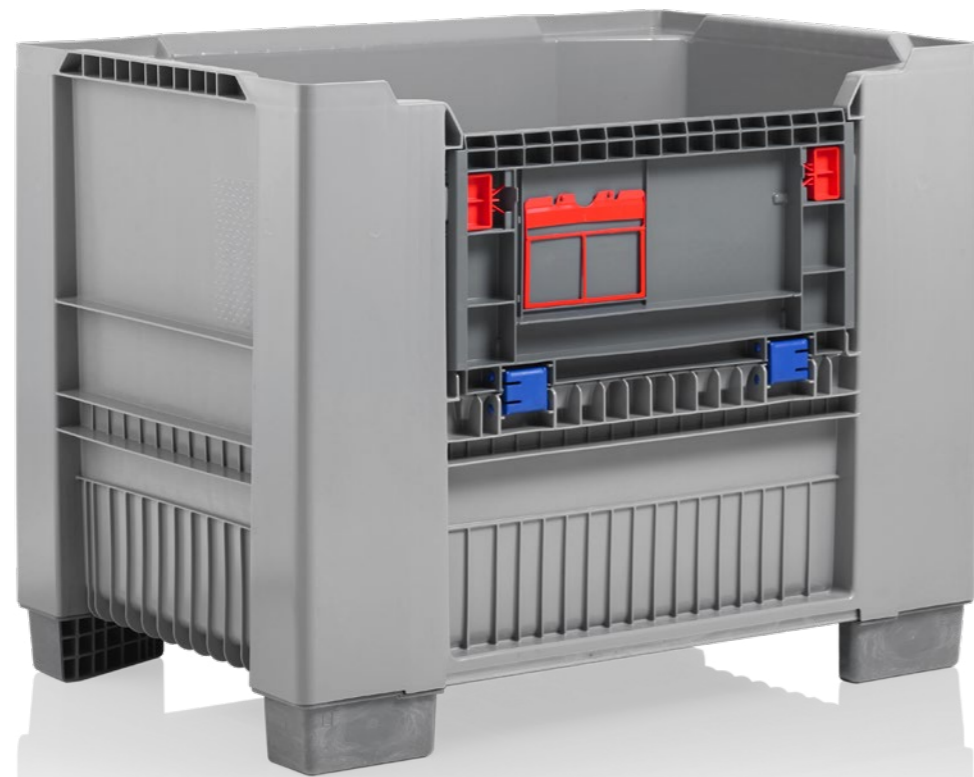
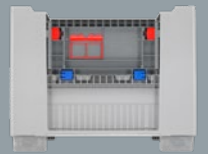
- Smooth wall design of the **hygiene box** provides no surfaces for contamination
- Completely **closed construction** with **3 welded runners**
- **Stable** runner connection
- **Double-walled** side walls above the entry openings for increased **impact protection** against forklift tines
- **Euro stacking system** for secure locking in the stack
- **Smooth, straight interior walls** for easy emptying and cleaning
- One closed **drain port** with integrated thread and drilling mark, each on one long side (2-inch) and on one short side (1-inch)
- **Stippled area** for temporary adhesive labels
- The container is based on **DIN EN 13626** and **DIN EN ISO 12048**
- Standard colours: ■

Options:

- One open drain port with integrated thread each on one long side (2-inch) and on one short side (1-inch)
- Reinforcement profiles
- RFID transponder
- Lid
- Palgrip® anti-slip runners
- Printing options (individual logos, fonts or numbering)
- Different coloured top part possible / bottom part light grey



KUBO – For heavy weights



KUBO – DB-Europool metal grid box

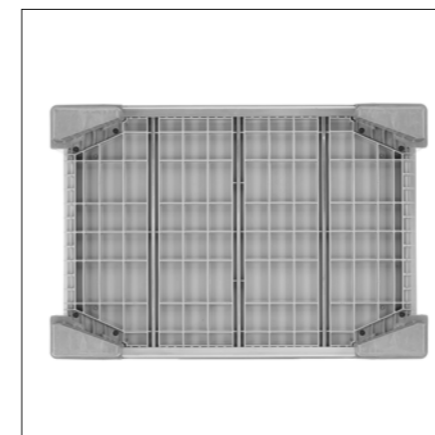
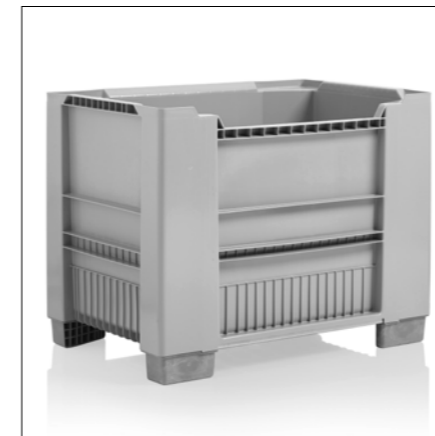
Technical data ^{*1}				Load capacity ^{*3}	
External dimensions L x W x H	1240 x 835 x 973 mm	Volumen	610 l	Stacking load	3000 kg
Internal dimensions L x W x H	1133 x 726 x 831 mm	Weight with drop door	51.0 kg	Payload	1000 kg
Material ^{*2}	PE	Weight without drop door	50.0 kg	Dynamic load	2100 kg

Characteristics:

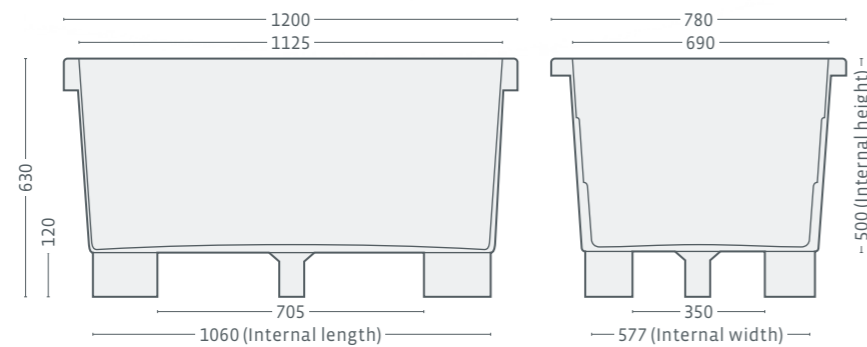
- **Body** injection moulded in **one piece**
- Large **front drop door** on the long side for easy loading and unloading
- Four exchangeable **corner columns** along the entire height reinforce the container
- **Ram protection** through reinforced walls with additional ribs and steel L-profiles on the long sides
- Five **steel profiles** in the base ensure high stability even under heavy loads
- External dimensions **compatible with the metal grid box** (Gitterbox) enable use in existing systems
- **Smooth interior walls** for easy emptying and cleaning
- Each corner is provided with one closed 10 mm **floor drain hole** with drilling mark
- **Stippled area** for temporary adhesive labels
- External dimensions based on **UIC 435-3**
- Standard colours: ■

Options:

- Closed walls without front drop door
- Opened 10 mm floor drain holes
- RFID transponder
- Printing options (individual logos, fonts or numbering)
- Document holder on the front drop door, e.g. for VDA labels



ET Box – The space miracle



ET Box – Euro Size

Technical data ^{*1}		Load capacity ^{*3}	
External dimensions L x W x H	1200 x 780 x 630 mm	Payload	250 kg
Internal dimensions L x W x H	1125 x 690 x 505 mm	Extra load	785 kg
Material ^{*2}	PE	Stacking height, build-up height	
Volume	300 l	When stacked	605 mm
Weight	17.7 kg	When nested	140 mm

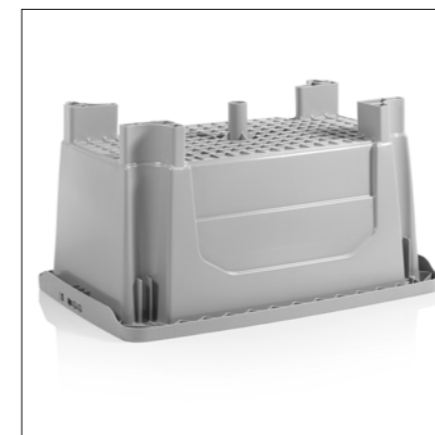
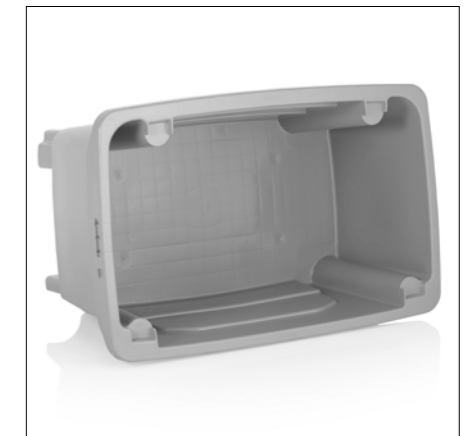
Characteristics:

- **Seamless** construction, injection moulded in **one piece**
- **Smooth interior walls** for easy emptying and cleaning
- **Reinforced** long side walls for high stability and easy stacking
- **Reinforced base** due to orthogonal ribbing
- **Nestable and stackable. Volume reduction of approx. 70 %^{*4}** for efficient empty transport
- Optimised **stacking system**, easy and safe
- **Special ribbing** reinforces the circumferential container rim and floor
- Safe stacking via **4 outer feet, 1 central foot** for high stability
- **Can be picked up** by forklift or pallet truck (2-way)
- Standard colours: ■

Options:

- RFID transponder
- Printing options (individual logos, fonts or numbering)

^{*4} 4 ET boxes stacked on top of each other are equivalent to 14 ET boxes stacked inside each other (stacking height of 2445 mm or 2450 mm)





210 l Large containers

Technical data ^{*1}		Load capacity ^{*3}	
External dimensions L x W x H	790 x 605 x 685 mm	Payload	210 kg
Internal dimensions L x W x H	725 x 540 x 575 mm	Extra load	270 kg
Material ^{*2}	PE	Stacking height, build-up height	
Volume	210 l	When stacked	660 mm
Weight without lid	8.9 kg	When nested	115 mm

400 l Large containers

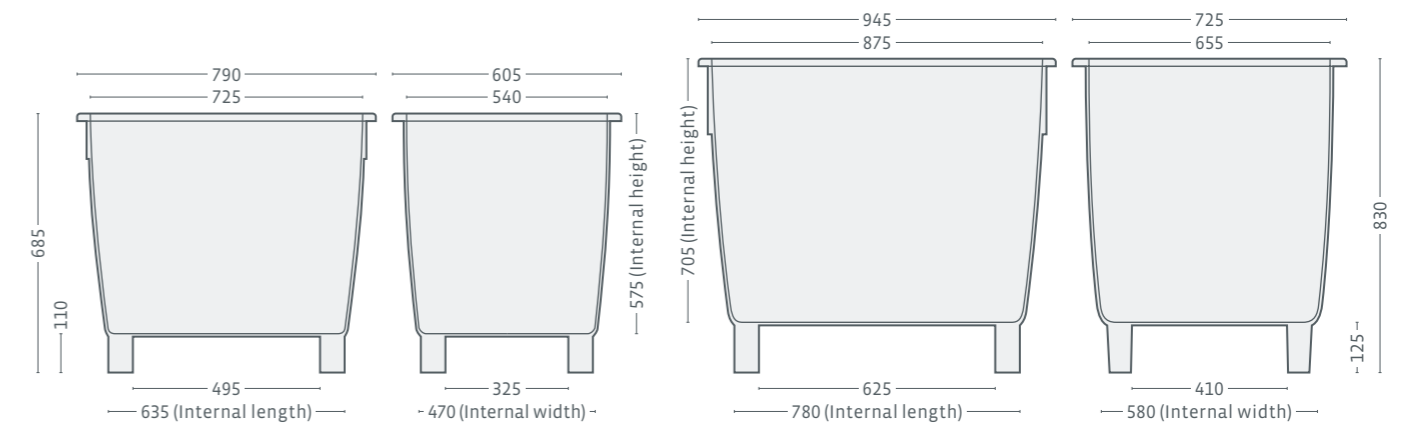
Technical data ^{*1}		Load capacity ^{*3}	
External dimensions L x W x H	945 x 725 x 830 mm	Payload	400 kg
Internal dimensions L x W x H	875 x 655 x 705 mm	Extra load	645 kg
Material ^{*2}	PE	Stacking height, build-up height	
Volume	400 l	When stacked	660 mm
Weight without lid	17.4 kg	When nested	198 mm

Characteristics:

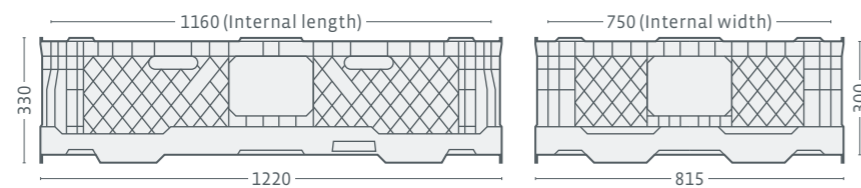
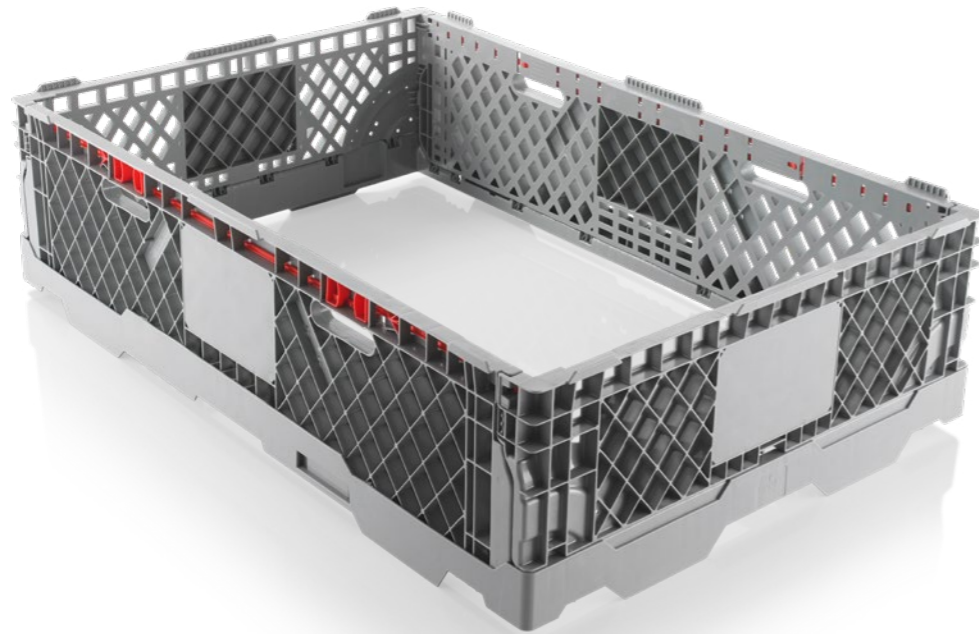
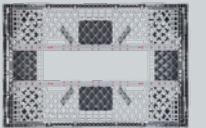
- **Body** injection moulded in **one piece**
- **Smooth interior walls** for easy emptying and cleaning
- High **wall thickness**, heavy quality
- **Nestable. Stackable** with lid
- **Can be picked up by** forklift or pallet truck
- Standard fitted with **reinforcement bar**
- Fitted with **drainage hole** and **plug** (green and basalt grey version)
- Standard colours:

Options:

- Non-hinged lid or lockable hinged lid
- Trolley
- 3/4" drainage tap
- With drainage hole and plug (white version)



CC1 – Fold open, fold closed



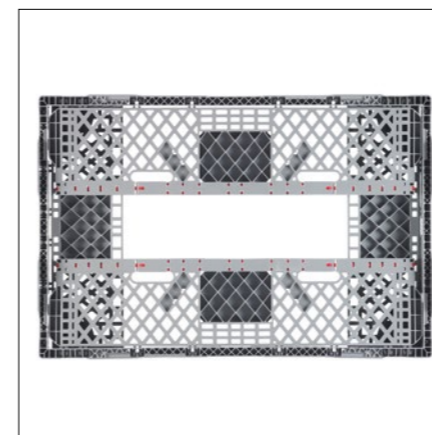
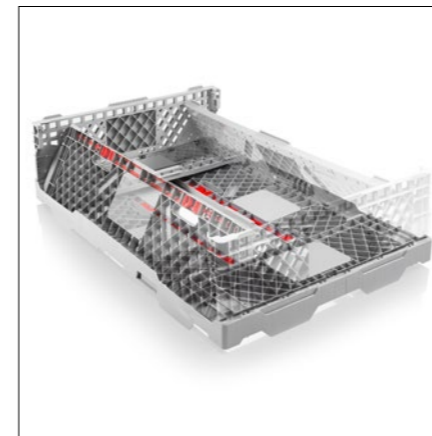
Technical data *1				Load capacity *3	
Name	CC1 Pallet Collar	Material *2	PE	Stacking load	500 kg
External dimensions L x W x H	1220 x 815 x 300 mm	Volume	260 l	Payload	-
Internal dimensions L x W x H	1160 x 750 x 300 mm	Weight	7.8 kg	Dynamic load	-

Characteristics:

- **Compatible** with almost all pallets
- Safe and easy **locking mechanism**
- Integrated **handles**
- **Labelling** field
- **Transponder** bracket
- **Interlocking** for optimum stackability
- 75 % **volume reduction** by folding for **space-saving storage and efficient empty transports**
- **Increased vehicle utilisation** (single to triple stacking)
- Standard colours: ■

Options:

- RFID transponder
- Rim options
- Printing options (individual logos, fonts or numbering)



MGBneo⁴ – For all kinds of waste

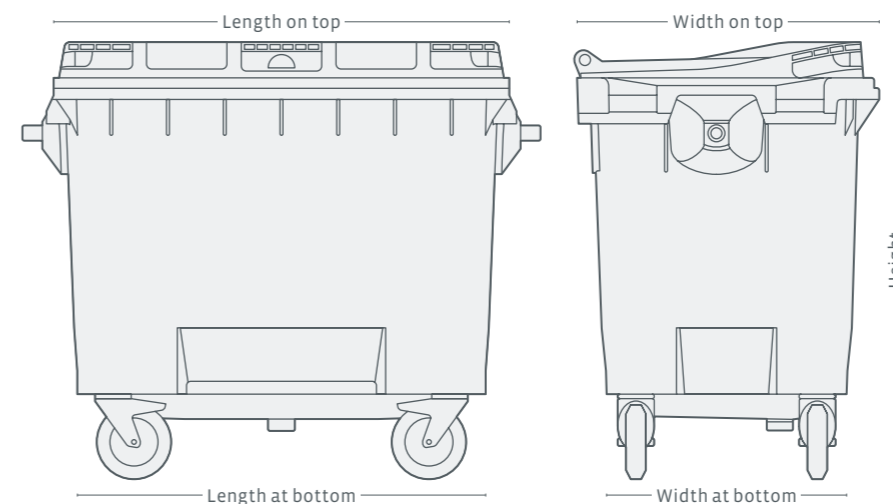


Characteristics:

- Ideal for disposing of **commercial waste** and any other type of **large-volume waste**
- Container corresponds to **DIN EN 840** and **RAL-GZ 951/1 (GGAWB)**
- Travelling gear **4 x Ø-200 mm castor wheels**, standard equipped with wheel stop
- Reinforced **comb lifting bar** for maximum safety during emptying
- **Steel-reinforced lifting trunnions** ensure safe and robust lifting
- **Handles** on all sides of the body
- Lid design **prevents water ingress** when opening the lid
- High manufacturing quality and **long service life**
- Available colours: ■■■■■■

Options:

- RFID transponder
- Lid-in-lid
- Noise insulation plugs
- Glas or paper slot
- Automatic or triangular lock
- Directional lock for castor wheels
- Forklift pockets
- Printing options (individual logos, fonts or numbering)



*	660 l	770 l	1100 l
Length on top	1275	1275	1275
Length at bottom	1090	1090	1090
Width on top	780	800	1115
Width at bottom	585	635	885
Height	1370	1370	1470

* all dimensions are standard dimensions according to DIN EN 840 in mm

MGBneo⁴ 660 l

Technical data ^{*1}				Load capacity ^{*3}	
External dimensions L x W x H	1370 x 850 x 1370 mm	Material ^{*2}	PE	Payload	264 kg

MGBneo⁴ 770 l

Technical data ^{*1}				Load capacity ^{*3}	
External dimensions L x W x H	1370 x 870 x 1370 mm	Material ^{*2}	PE	Payload	308 kg

MGBneo⁴ 1100 l

Technical data ^{*1}				Load capacity ^{*3}	
External dimensions L x W x H	1370 x 1190 x 1470 mm	Material ^{*2}	PE	Payload	440 kg



For your own notes:

Technical data ^{*1}

All technical data include characteristic features, which have been tested under specially defined conditions. Varying data may result from different conditions of usage such as loading method, prevailing temperature and length of storage time. All data and specified information are subject to change without notice. Our service team is pleased to be at your disposal to check the special requirements of your individual application.

Material ^{*2}

Our service team is pleased to be at your disposal if you require exact information about material compositions.

Load capacity ^{*3}

CB1: Stacking load: With a maximum stacking height of 6 boxes (5 on 1 stacking) and evenly distributed load at a room temperature of approx. 20 °C. Dynamic load on forklift tines with evenly distributed load at a room temperature of approx. 20 °C.

CB3: Stacking load: With a maximum stacking height of 6 boxes (5 on 1 stacking) and evenly distributed load at a room temperature of approx. 20 °C. Dynamic load on forklift tines with evenly distributed load at a room temperature of approx. 20 °C.

CB3 High: Stacking load: With a payload of 1,000 kg at a room temperature of approx. 20 °C. Dynamic load on forklift tines with evenly distributed load at a room temperature of approx. 20 °C.

SB3: Stacking load: At a room temperature of approx. 20 °C. Dynamic load on forklift tines with evenly distributed load at a room temperature of approx. 20 °C.

HB3: Stacking load with a payload of 900 kg at room temperature. Dynamic load on a forklift with an evenly distributed load at a room temperature.

KUBO: Stacking load with a payload of 1,000 kg at room temperature. Dynamic load on a forklift with an evenly distributed load at a room temperature.

ET Box: Load capacity: with a payload of 250 kg at a room temperature of approx. 20 °C.

CC1: Stacking load with a maximum stacking height of 3 frames and evenly distributed load at a room temperature of approx. 20 °C.

MGBneo⁴: Dimensions are stated according to DIN EN 840. Deviations within the tolerances permitted in the norm are possible.

Special colours and labelling

Of course, all Craemer large load carriers are also available in your corporate colour. We offer a wide range of special colours for this purpose.

Depending on the quantity, Craemer large load carriers can of course also be customised with lettering, logos and sequential numbering. Positioning upon consultation.

The Craemer Group is one of the world's leading manufacturers of durable logistics solutions with more than 60 years of experience in plastics processing. The portfolio includes plastic pallets for a wide variety of requirements and a wide range of transport and storage containers – from stacking boxes, round containers and tubs to pallet boxes and large wheelie bins (MGB type). All Craemer products are manufactured of high-quality polyethylene and excel with their tried and tested quality.

Craemer GmbH

Brocken Straße 1
33442 Herzebrock-Clarholz | Germany
Tel.: +49 5245 43-0
E-Mail: info@craemer.com

Craemer UK Ltd

Craemer House | Hortonwood 1
Telford, Shropshire TF1 7GN | United Kingdom
Tel: +44 1952 6078-00 | Fax: +44 1952 6078-01
E-mail: info@craemer.com

